

WARNING!!

The attached Gold Medal Manual is for reference only and is not intended for any other purpose. The information contained in these on line manuals is subject to change at any time. Improvements are always being made to Gold Medal equipment and this information may not be the latest available for your purposes. It is critical that you call Gold Medal Products technical service department at 1-800-543-0862 for any questions about machine operations, replacement parts, or any service questions. Neither Gold Medal nor Phil Erb Concessions represent that these on line manuals contain the most current information available for the product represented.

MEDALLION

52oz.

Instruction Manual

Models #2948, #2960, #2972, #2961, #2973
Domestic, Export, Japan




GOLD MEDAL®


FUNFOOD EQUIPMENT & SUPPLIES


Cincinnati, OH 45241-4807 USA


Safety Precautions

	⚠ CAUTION
	<p>This equipment is designed and sold for commercial use only. This equipment is not to be used by the consumer in home use. Do not allow direct contact of this equipment by the public when used in food service locations. Only personnel trained and experienced in the equipment operation may operate this equipment.</p> <p>Carefully read all installation instructions before operating the equipment.</p>

	⚠ WARNING
	<p>Always wear safety glasses when servicing this equipment.</p>

	⚠ WARNING
	<p>To avoid serious burns, do NOT touch the kettle while it is hot.</p>

	⚠ WARNING
	<p>Any alterations to this equipment will void the warranty and may cause a dangerous situation. NEVER make alterations to the equipment.</p> <p>Make sure all machine switches are in the OFF position before plugging the equipment into a receptacle.</p>

	⚠ DANGER
	<p>Machine must be properly grounded to prevent electrical shock to personnel.</p> <p>Do NOT immerse the kettle, warmer, or any other part of this equipment in water.</p> <p>Always unplug the equipment before cleaning or servicing.</p>

NOTE

The information, specifications and illustrations contained in this manual represent the latest data available at time of publication. Right is reserved to make changes as required at the discretion of Gold Medal Products Company without notice.

MODEL NUMBERS

Model Numbers	120/208, 120/240V 60Hz.	240V 50Hz.	Deep Well	single 52oz kettle	single 66oz kettle	twin 52oz kettles	Counter Model (no oil pump)	28" X 36" cabinet	48 inch cabinet	60 inch cabinet	72 inch cabinet	79 inch cabinet	Pass Thru-Cont/Dump Hndl.	Neon	Salt/Sweet Switch	Ansul Fire Suppression	Flexi Pop	Wiring Diagram Drawings
2948ED	x			x				x										
2948XED		x		x				x										
2948EDN	x			x				x						x				D-1403716
2948XEDN		x		x				x						x				
2948EDNP	x			x				x					x	x				D-1403720
2948XEDNP		x		x				x					x	x				
2948EDNPF	x			x				x					x	x		x		D-1403717
2960ED	x			x					x									
2960XED		x		x					x									
2960EDN	x			x					x					x				
2960XEDN		x		x					x					x				
2972ED	x			x							x							
2972XED		x		x							x							
2972EDN	x			x							x			x				
2972XEDN		x		x							x			x				
2961ED	x								x									
2961XED		x							x									
2961EDN	x								x					x				
2961XEDN		x							x					x				
2973ED	x										x							
2973XED		x									x							D-16738S1
2973EDN	x										x			x				
2973XEDN		x									x			x				

Domestic - 120/208V or 120/240V, 60 HZ, 6600Watts

Export - 230V, 50 HZ, 6600Watts

Agency Approvals: U.L., CUL, NSF, CE


INSTALLATION INSTRUCTIONS

CHECKING SHIPMENT

Unpack all cartons and check thoroughly for any damage that may have occurred during transit. Damage claims should be filed immediately with the transportation company.

Domestic models only: 120v/208v or 120v/240v 60 Hz.

A 50 amp – 4 wire wall receptacle is shipped with each machine. This receptacle will accept the attachment plug on the popper and must be used. Your electrician must furnish sufficient current for proper operation of your machine. We recommend this popper be on a dedicated and circuit protected line. (note: The Medallion “uses” both “hot to neutral” legs, 120v. The machine does not “use” the 208v or 240v, “hot to hot” connection.

	⚠ DANGER
<p>Machine must be properly grounded to prevent shock in case of electrical problems. Wall receptacle must be wired as shown on the receptacle. Failure to wire properly will void the warranty and can result in damage to motors, elements, relay, lights, etc.</p>	

FINAL PREPARATIONS

⚠ WARNING

<p>To avoid serious burns, do NOT touch the kettle while it is hot!</p>

The popcorn machine was adjusted, inspected, and tested before it left the factory.

Connect the clear oil line from the pump to the aluminum line from the popper with the supplied hose clamp. Connect the 6 pin connector from the popper to the receptacle on the oil pump. Both Bucket pump (2114 or 2114EX) and Bag-in-a-Box pump (2257 or 2257X) have the same receptacle.

Follow the instructions provided in the oil pump manual to set the oil delivery amount. The proper amount of oil for the 52oz. Medallion is between 13oz. to 15.6oz.

To check for proper amount of oil, and assure oil is liquid, dispense a “shot” into a measuring cup.

OPERATING INSTRUCTIONS

CONTROLS AND THEIR FUNCTIONS

LIGHT SWITCH

Operates on all the lights, interior and dome, on your popcorn machine.

POPCORN CONDITIONER SWITCH

Operates the blower in the corn storage area, keeps popped corn fresh and crisp.

KETTLE HEAT SWITCH

Operates the heating elements in the popping kettle.

KETTLE MOTOR AND EXHAUST SWITCH

Operates both the kettle agitator motor and the exhaust blower. The exhaust blower is only required when popping corn.

OIL SYSTEM MASTER SWITCH

Sends power to the oil pump, either the Bucket Pump or Bag-in-a-Box models. The warmer/blower on the oil pump is activated. The warmer/blower on the oil pump will keep coconut popping oil liquid if the doors on the base are kept closed. It may be desirable to keep this switch on at night, if you have problems keeping the coconut oil liquid. Coconut oil will congeal at temperatures below approximately 76° F [24° C].

“RED” OIL DISPENSE MOMENTARY SWITCH

When pushed, will dispense the predetermined amount of oil into the kettle.

YELLOW LIGHT & AUDIBLE SIGNAL (LOAD – DUMP)

Alerts the operator to:

1. Load the corn and oil *or*
2. Dump the popped corn from the kettle *or*
3. Turn off the kettle heat switch if they are done popping corn

PASS THRU SWITCHES (IF EQUIPED)

Has double switches for the kettle heat, motor, and oil on the front side and the operator side of popper.

FLEXI-POP SWITCH (IF EQUIPED)

Changes energy to kettle for the load switch from 52 oz to 32 oz. It automatically adjust the oil amount on the 2257D. The Green cup is for the 52 oz and the Blue cup is for the 32 oz.

SALT-SWEET SWITCH (IF EQUIPED)

Changes the temperature 50°F lower for the sweet option.

POPPING CORN

1. Turn on all Switches.
2. When popping with coconut oil, be sure the oil is liquid. Dispense oil into a measuring cup first (should be between 15 oz. to 17.5 oz.), and then use that oil for the first popping cycle.
3. When the kettle is ready (about 5-8 minutes), the Yellow Light and Audible Signal will turn on. Lift the kettle lid and pour in 52 oz. of corn (use the supplied corn cup) and 8 teaspoons (21 cc) of Flavacol. Close lid.
4. Press the RED oil pump button. The proper amount of oil is pumped into the kettle. The Light and Signal will turn off.
5. When the popcorn has completed popping, the Light and Signal will turn on. Dump the Popcorn.
NOTE: The signal "To Dump" was factory set based on our popcorn and oil. If the signal occurs before or after the popping has stopped, the signal timing must be adjusted as described on page 8.
6. On the final kettle of corn, turn the "KETTLE HEAT" switch off, just as the lids are forced open by the popping corn. This saves electricity, and helps eliminate smoke and odor after you have stopped popping.

REMEMBER:

If the Yellow Load - Dump light is turned on and the Signal is sounding *one of the* following actions should be taken:

1. Load the corn and oil *or*
2. Dump the popped corn from the kettle *or*
3. Turn off the kettle heat switch if you are done popping corn

When you are finished popping, make sure "KETTLE HEAT" and "KETTLE MOTOR" switches are turned "OFF".

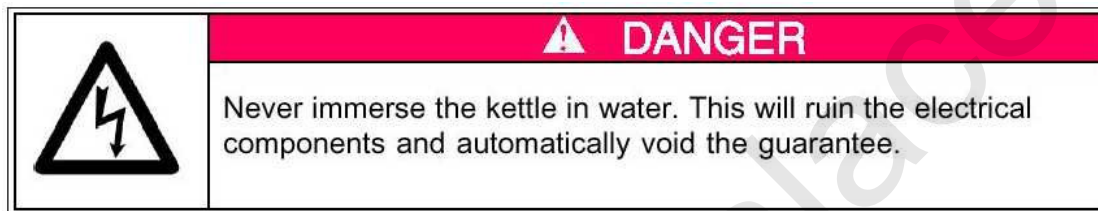
NEVER LEAVE THE HEAT ON WHEN YOU ARE NOT POPPING.

CLEANING INSTRUCTIONS

DAILY:

Clean the Kettle

1. As you pop corn, wipe the kettle with a clean cloth. It is easy to keep the outside clean when the kettle is warm and the oil is not baked on. **CAUTION:** The hot kettle will cause burns if you touch it with your hand.
2. Every night, mix a gallon of Heat'n Kleen solution (2 tablespoons per gallon of water). Turn on the kettle heat. When the water starts to boil, turn off the heat and let it work overnight.
3. The next morning, dump the solution in a bucket and wipe the inside of the kettle with a cloth.
4. A CLEAN-IN-PLACE hook is located behind the operator side kettle support arm. Just tilt the kettle to the dump position, and swing the hook into position to hold the kettle in the dumped position. This feature will help you clean the kettle.



Clean the Popcorn Machine

1. Wipe the stainless steel parts with a clean cloth and cleaner designed for stainless steel. **Do not use oven cleaners, as they will damage parts of the machine.**
2. Remove and clean the 1st stage mesh filter. Cover removal not required. Clean filter in warm soapy water.
3. Ammonia cleaners will damage the plastic doors. Use only non-ammonia cleaners.

WEEKLY:

Clean the filters in the popcorn machine

1. Loosen the 2 screws (no tools required), on the filter cover plate on the ceiling inside the popper. Remove the cover, the bag and mesh filters. Clean the bag filter and the mesh filters in warm soapy water. Let dry overnight and reinstall.
CAUTION: Keeping the filters clean is important to let the exhaust system "do its job".
2. Check the condition of the clear oil lines and tighten or replace as required.

Item No.	Part No.	Description
1	41250	Metal mesh filter
2	41169	Oil Mist Bag Filter



Electronic Temperature Control

Operation

The control is factory set to 470F – 480F, which stops power to the kettle when the thermocouple reaches 470F – 480F. On the Medallion machine, this is also the ideal point to dump the popped corn out of the kettle. On the first start-up this is also the ideal time to load the corn and oil. Therefore if the kettle heat switch is turned on and the buzzer is sounding *one of the* following actions should be taken:

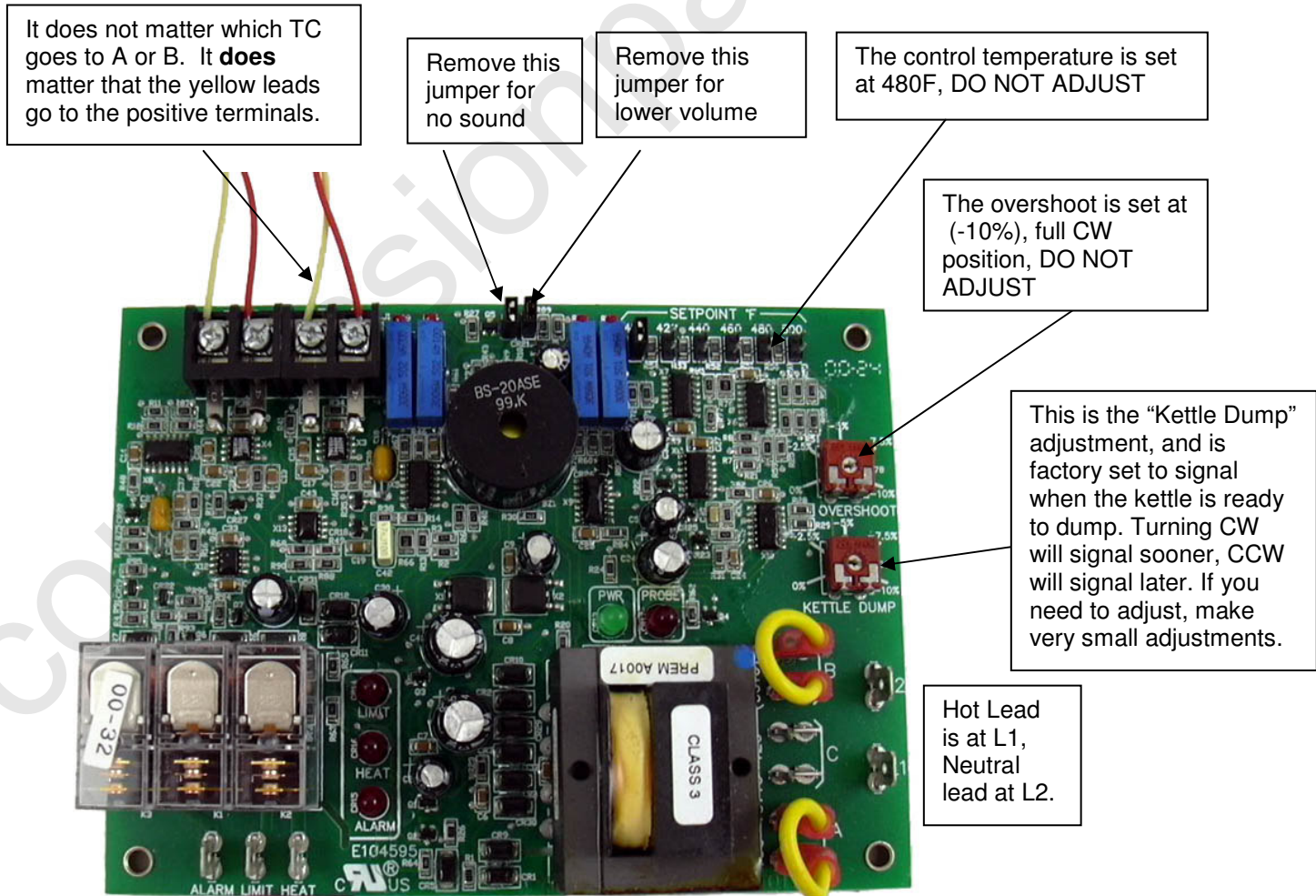
- Load the corn and oil *or*
- Dump the popped corn from the kettle *or*
- Turn off the kettle heat switch if you are done popping corn

Adjustment of Electronic Control


The Medallion has an electronic kettle control with 2 thermocouples, one for control and one for limit. There are no mechanical thermostats in this kettle.


There are (4) factory adjustments on the control:

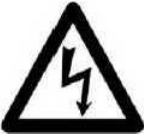
1. Control temperature – **do not** adjust this one
2. Signal to dump – If you want the signal to dump to be a little sooner or later you can adjust the potentiometer marked “kettle dump”. CW is sooner, CCW is later.
3. The patented overshoot circuit is tuned for the kettle, **do not** adjust this potentiometer.
4. The audible signal to dump has three options; full volume, half volume, no sound (just the yellow light). Adjustments are by jumper positions. We ship full volume.



MAINTENANCE INSTRUCTIONS

	⚠ CAUTION
	THE FOLLOWING SECTIONS OF THIS MANUAL ARE INTENDED ONLY FOR QUALIFIED SERVICE PERSONNEL WHO ARE FAMILIAR WITH ELECTRICAL EQUIPMENT. THESE ARE NOT INTENDED FOR THE OPERATOR.

	⚠ WARNING
	Adequate eye protection must be used when servicing this equipment to prevent the possibility of injury.

	⚠ DANGER
	Do NOT immerse the kettle, warmer, or any other part of this equipment in water. Unplug your machine before servicing.

NOTE
We do not ship glass. Obtain from local glass shop or hardware store. Always purchase double strength type glass.

Glass Sizes:

Front Glass - 30 7/8" x 45 3/8" x 1/8"

Side Size - 30 7/8" x 27 1/4" x 1/8"

Setting the Amount of Popping Oil with a Gold Medal BIB System

In March 2003, we introduced the model 2257 with the E-Z Set control.

With this system, it is not necessary to set a timer. To adjust the oil amount, follow these instructions:

Holding the RED *Oil Dispense* push button (on the popper) down while turning on the *Oil System Master* switch (on the popper) puts the unit in the program mode. The oil light (on the popper) will start to blink off and on indicating that the timer is in the program mode.

When in the program mode, press and release the oil *Dispense* switch to start the oil flowing. When the correct amount of oil has been dispensed into the measuring cup, push the oil *Dispense* switch again to stop the oil flow. The oil amount can be “topped off” by pushing the oil *Dispense* switch on/off as many times as needed to finalize the oil amount. Turning the *Oil System Master* switch off and then back on puts the unit in the regular mode. The unit will now dispense the “programmed” amount of oil when the oil *Dispense* switch is pushed. The oil light will light only when the oil pump is on.

You will need to perform this procedure with the oil lines full of oil. Otherwise, you are setting both the amount of oil that goes in the kettle plus the amount of oil to fill the lines. Just fill the lines using the process above, then reset the amount as described above.

NOTES:

Model 2257D is has the capability of “remembering” two different settings for poppers with the “Salt/Sweet” option or “Flexi-Pop” option.

- For Salt/Sweet models, just put the switch in the “salt” position, and set the oil amount as described above. Then put the switch in the “sweet” position and repeat the setting procedure. The pump will remember both settings.
- For Flexi-Pop models, just put the “Load” switch in one position, 32oz. for example, then set the oil amount. Then put the load switch in the other position, 18oz. for example. And repeat the setting procedure.
- Model 2457 is the heated line option for the 2257 pump.

TROUBLESHOOTING

LONG POPPING CYCLES

If your pop cycle is longer than 4 minutes, it can be the result of several things:

- A. **LOW VOLTAGE** - If the machine is operated on low voltage, this could cause the kettle not to reach the proper operating temperature. Voltage for each leg, with kettle turned on, must be at least 110v.
- B. **INADEQUATE SUPPLY LINES** - Inadequately sized electrical supply lines, in addition to being a fire hazard, would also prevent the kettle from reaching the proper operating temperature. Check with a qualified electrician.
- C. **INFERIOR CORN** - Inferior quality corn would result in longer popping cycles. Use only top quality hybrid popcorn from reputable suppliers. Even then, if you let your corn pick up moisture or dry out, your popping cycles will be slow.

KETTLE DOES NOT HEAT

Before you go any further, make sure the kettle lead-in cord is plugged in, and that circuit breakers are not tripped. Make sure all electrical connections are tight.

- A. **KETTLE HEAT SWITCH** - Check the voltage to and from the "KETTLE HEAT" switch, and if the switch is defective replace it.
- B. **CONTROL** - A defective thermocouple lead will cause the kettle not to heat. Check for good connections from the kettle to the control.
- C. **POWER RELAYS** – Check to see if the two power relays operate. Both relays should operate with the kettle heat switch on. If the relays do not both operate, look at the status of the LED's on the heat control PCB.
 - Green LED "on" – power is going to the heat control (kettle heat switch is on)
 - Probe LED "on" – one or both thermocouples are open or not properly connected to the heat control board.
 - Limit LED "on" – normal operation. The limit power relay should be "picked up".
 - Heat LED "on" – normal operation. (If the kettle temperature is at or above set point, LED will be off) The heat power relay should be "picked up"
 - Alarm LED "off" – normal operation. The LED turns on when the kettle reaches the set dump temperature.

MOTOR WILL NOT TURN AGITATOR

WARNING! If the kettle agitator shaft is not rotating, do not pop corn.

Adjust the clearance between the kettle bottom and the stir blade to 1/32". (use a dime)

Loosen the set screw in the collars above and below the crossbar and adjust the agitator shaft as necessary. Then re-tighten the set screws in the collars.

OIL PUMP DOES NOT DELIVER OIL TO KETTLE

If the pump is operating but oil is not dispensed, the oil may be solid in the oil lines. If the pump is not operating see the pump manual for instructions.

ORDERING SPARE PARTS

1. Identify the desired part by checking it against the photos, illustrations, and/or the parts list.
2. When ordering, please include part number, part name, and quantity desired.
3. Please include your model name and machine serial number (located on the machine nameplate) with your order.
4. Address all parts orders to:

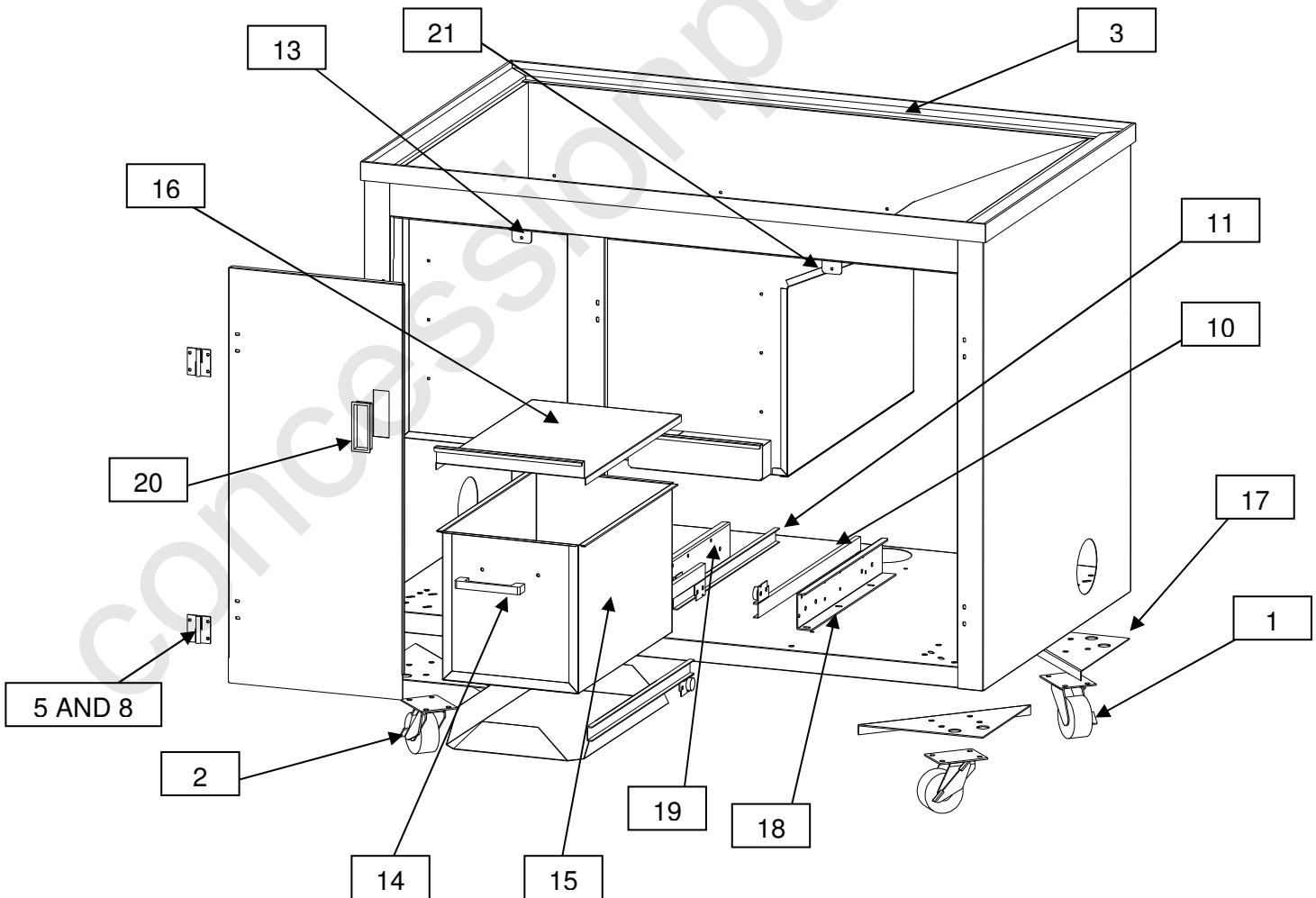
Parts Department
Gold Medal Products Co.
10700 Medallion Drive
Cincinnati, Ohio 45241-4807

or, place orders at:

(513) 769-7676
(800) 543-0862
Fax: (513) 769-8500
E-mail: goldme19@eos.net

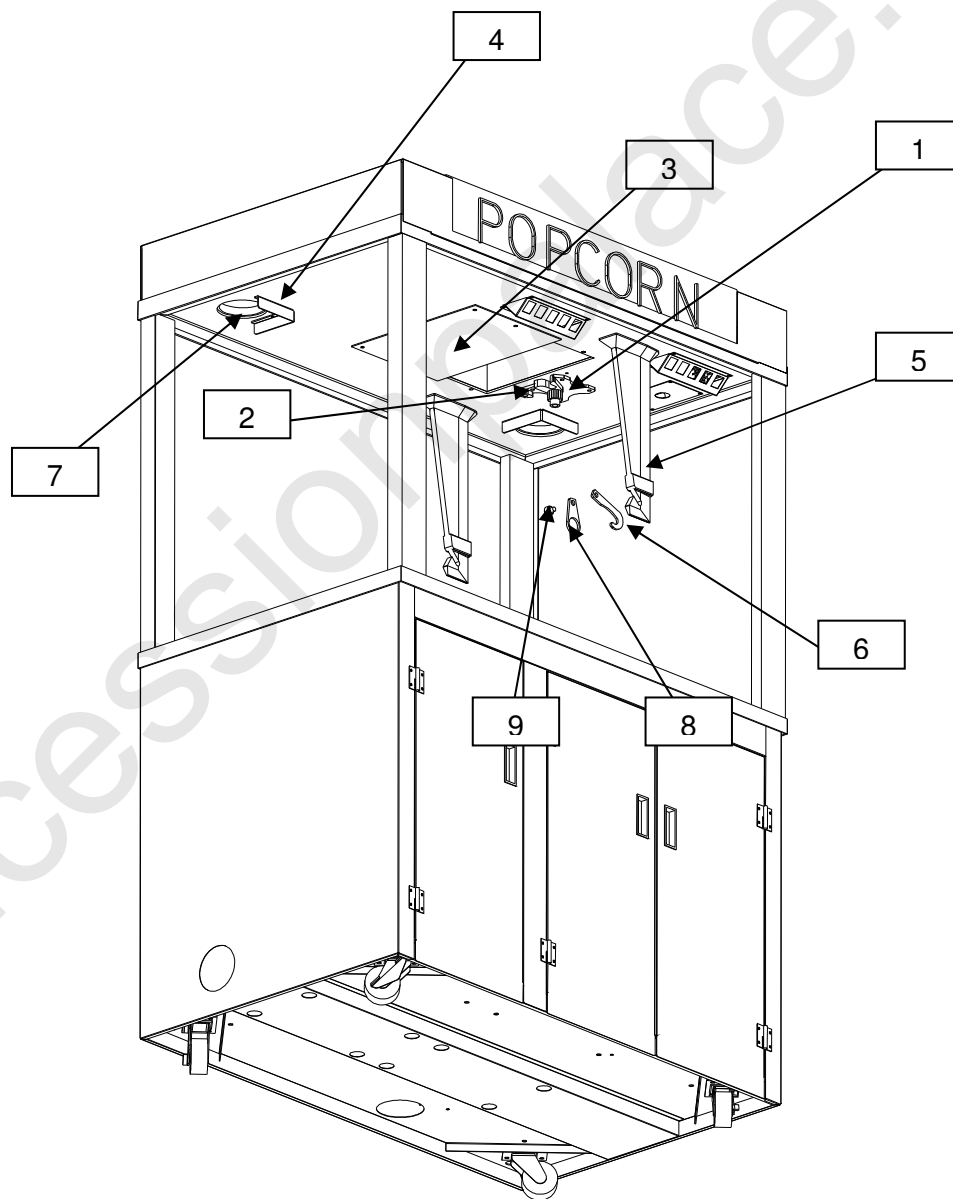
CABINET LIST

Item No	Part No	Description
1	37513	SWIVEL CASTER
2	37514	NSF SWIVEL CSTR W/LOCK
3	39045	GLASS RETAIN VINYL
4	41163	HOSE CLAMP W/SCREW
5	41349	MALE HINGE SHORT LEFT
6	41350	MALE HINGE SHORT RIGHT
7	41354	FEMALE HINGE RIGHT
8	41355	FEMALE HINGE LEFT
9	41934	COVER ASSY
10	46511	DRAWER SLIDE, WELD ASSY
11	46512	DRAWER SLIDE, WELD ASSY
12	47120	KNOB LID LIFT
13	50013	MAGNET
14	67069	HANDLE
15	82031	CORN BIN ASSY
16	82102	LID CORN BIN
17	82103	GUSSET SUPPORT CASTER
18	82280	MT ANGLE, CORN BIN SLIDE
19	82281	MT ANGLE, CORN BIN SLIDE
20	82698	FLUSH MOUNT HANDLE
21	83050	DOOR CATCH BRACKET



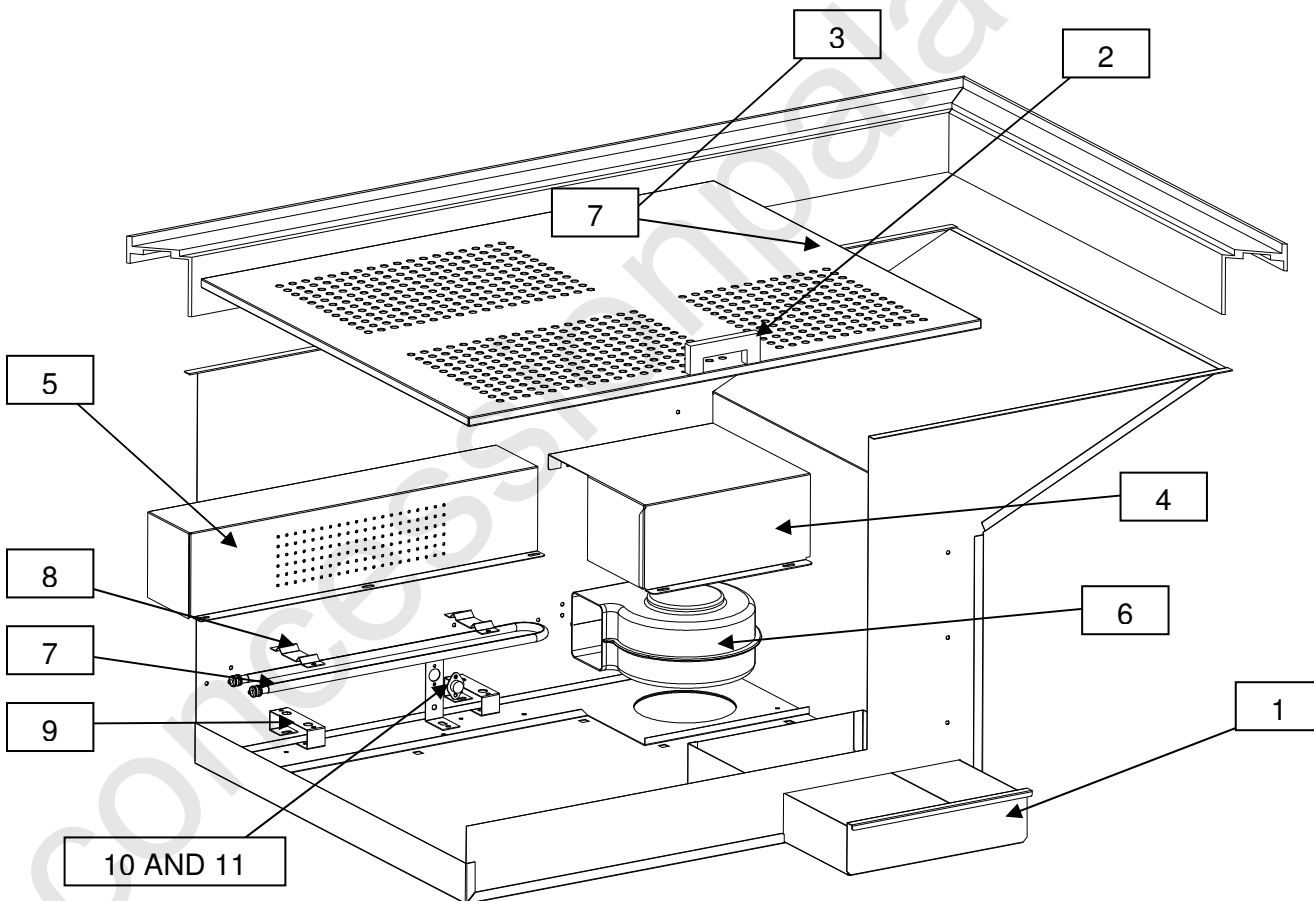
INSIDE CABINET LIST

Item No	Part No	Description
1	41380	SPUR GEAR
2	41432	GEAR BLOCK ASSY
3	82456	BLOWER COVER
4	47799	LIGHT SHIELD ANGLE
5	48907	HANGER ARM ASSY
6	48908	HANGER ARM ASSY CIP
7	49480	LIGHT SHIELD CONICAL
8	43426	KETTLE RETAINER
9	12319	KNOB, GEAR LOCK



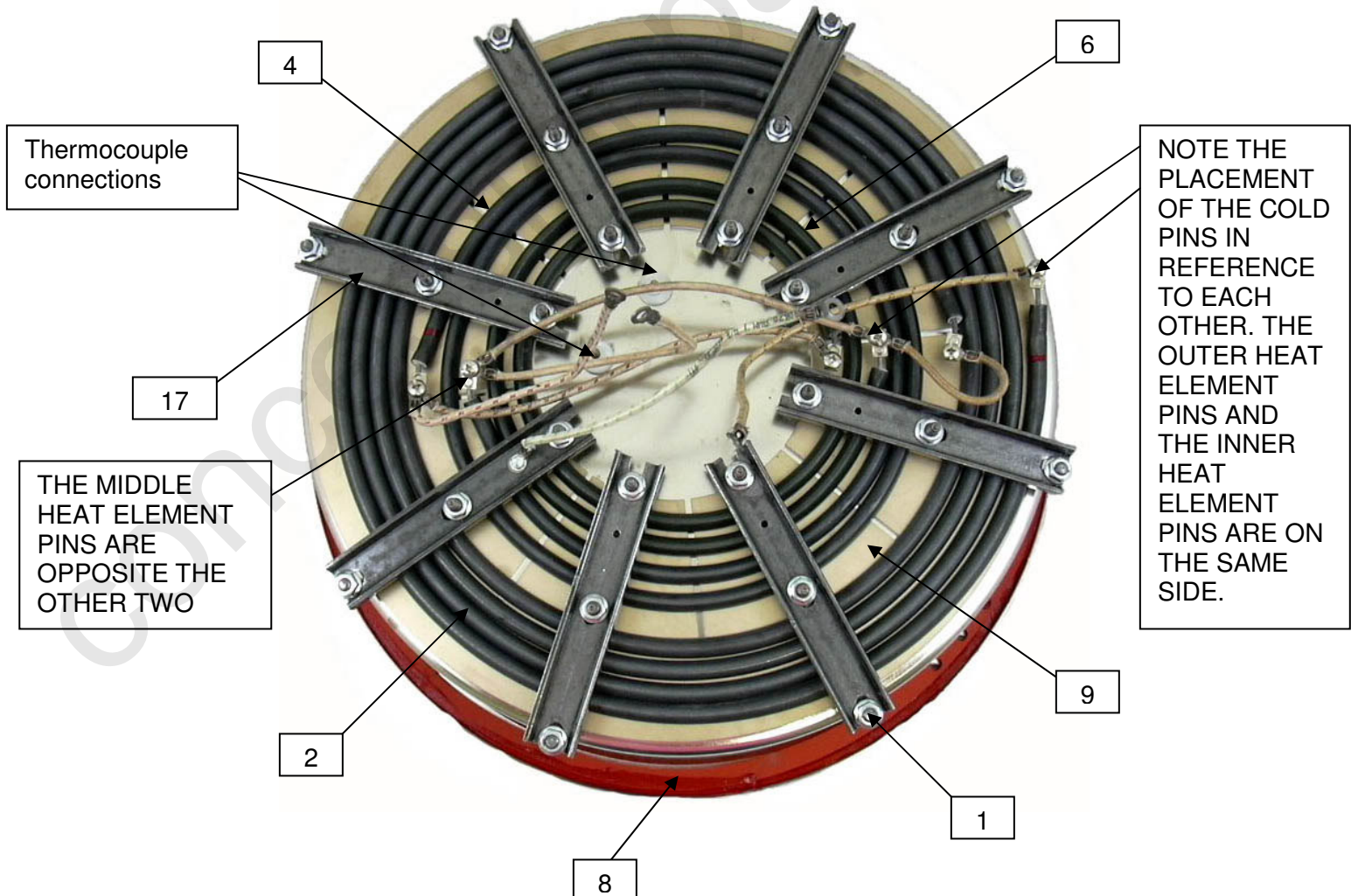
DEEP WELL LIST

Item No	Part No	Description
1	62092	OLD MAID PAN
2	67069	HANDLE
3	82944	OLD MAID SCREEN ASSY
4	61138	BLOWER COVER
5	61139	DIFFUSER COVER
6	61123	BLOWER, 120V
7	61128	CONDITIONER ELEMENT 120V, 800W
8	61133	CLAMP
9	61134	MOUNT
10	47385	THERMOSTAT
11	47548	MOUNTING ANGLE



KETTLE BOTTOM LIST

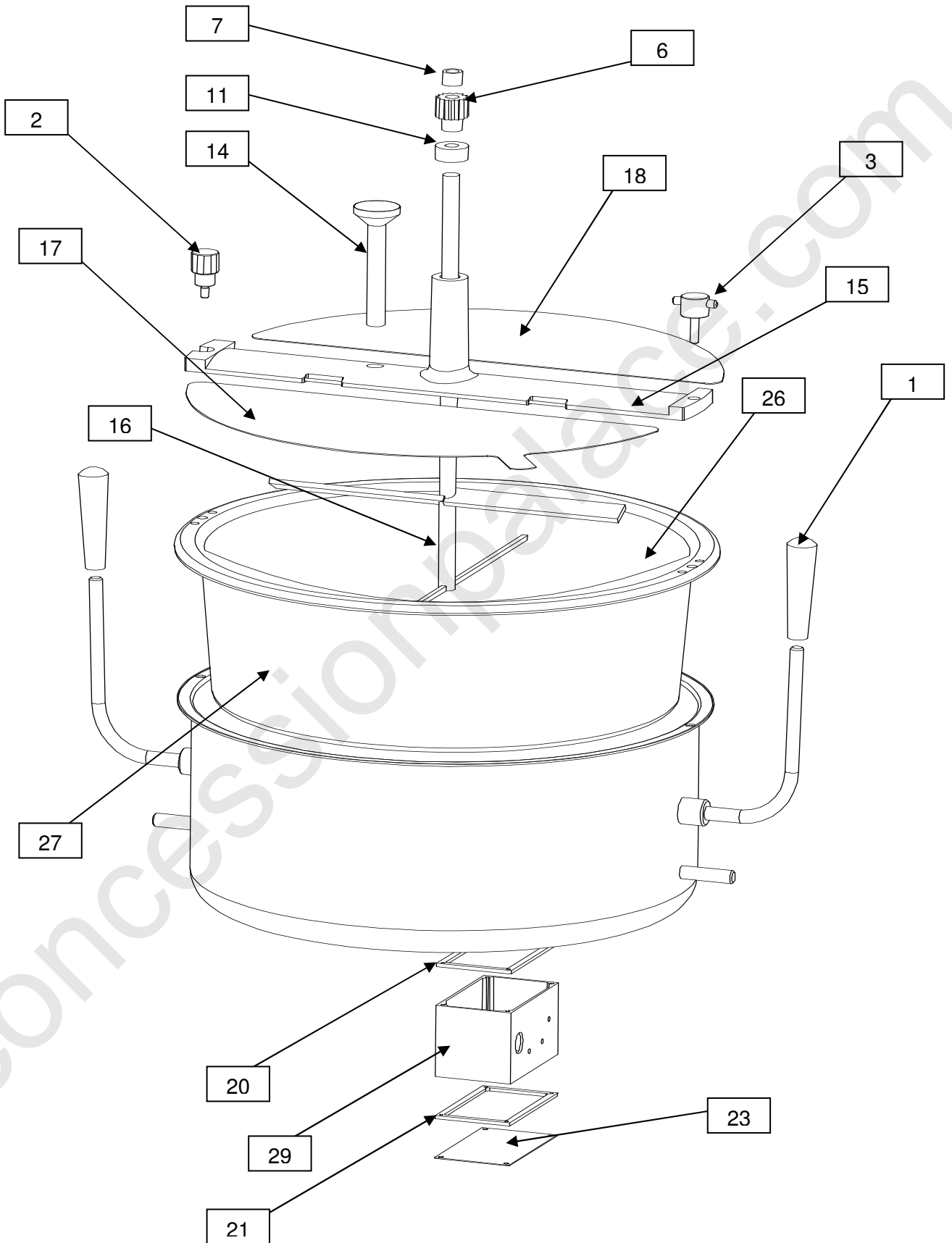
Item No	Part No	Description
1	41434	RETAINING NUT
2	46491	HEAT ELEMENT 120V,2700W
3	46498	HEAT ELEMENT 240V,2700W (EXPORT)
4	48650	TUBULAR ELEMENT, 120V 1800W
5	48650EX	TUBULAR ELEMENT, 240V 1800W (EXPORT)
6	48651	TUBULAR ELEMENT, 120V 1050W
7	48651EX	TUBULAR ELEMENT, 240V 1050W (EXPORT)
8	48958	KETTLE GASKET
9	48968	HEAT TRANSFER PLATE
10	61072	WHITE WIRE ASSY
11	61073	WHITE WIRE ASSY
12	61074	WHITE WIRE ASSY
13	61075	RED WIRE ASSY
14	61076	GREEN WIRE ASSY
15	61077	BLACK WIRE ASSY
16	61078	BLACK WIRE ASSY
17	82595	48,52,66OZ ELEMENT CLAMP



KETTLE LIST

Item No	Part No	Description
1	41139	DUMP HANDLE PLASTIC
2	47976	CROSSBAR FASTNER, NO PINS
3	47977	CROSSBAR FASTNER, W/PINS
4	48961	LID, AGITATOR ASSY
5	12611	5/16-18 LH AGITATOR SCREW
6	41380	SPUR GEAR
7	41400	NEEDLE BEARING TORINGTO
8	41730	WOODRUFF KEY #3 1/8X1/2
9	41742	SET SCREW #10-32 X 3/16
10	41814	5/16-18 X 1/2 BUTTON HEAD
11	47325	SET COLLAR 5/8ID X 1-1/4OD
12	48965	CROSSBAR ASSEMBLY
13	47154	WARNING, DO NOT IMMERSE
14	47689	OIL TUBE W / FUNNEL
15	48974	52OZ CROSSBAR W/BUSHING
16	48969	AGITATOR WELD ASSY 52OZ
17	48971	FRONT KETTLE LID
18	48972	REAR KETTLE LID
19	48966	RH KETTLE BOTTOM ASSY
	48966P	PASS THRU KETTLE
20	40963	JUNCTION BOX GASKET
21	40965	JUNCTION BOX GASKET
22	41129	TERMINAL BLOCK KETTLE
23	41296	KETTLE JUNCTION BOX COVER
24	41748	KETTLE LEAD WIRE, RED
25	47999	THREADED BLOCK
26	48957	52OZ KETTLE WELD ASSY
27	48959	KETTLE SHELL WELD
	48959P	PASS THRU SHELL WELD
28	48984	KETTLE LEAD ASSY
29	61084	JUNCTION BOX ASSEMBLY

KETTLE LIST CONTINUED



ELECTRICAL LIST

Item No	Part No	Description
1	39410	3 POSITION ROCKER SWITCH (FLEXI-POP)
2	41001	TEMPERATURE CONTROL (KETTLE)
3	41015	EXHAUST BLOWER, 115V
	41965	EXHAUST BLOWER, 220V (EXPORT)
4	41031	SWITCH OIL PUMP
5	41449	KETTLE DRIVE MOTOR, 115V
	41500	KETTLE DRIVE MOTOR, 230V (EXPORT)
6	41499	WIRE HARNESS,OIL PUMP
7	41640	FOIL ELEMENT, 8 WATT 120V (OIL LINE)
	41640EX	FOIL ELEMENT, 8 WATT 230V (OIL LINE) (EXPORT)
8	41712	MOLDED RECEPTACLE, WARMER
9	41735	STRAIN RELIEF SR 31-2
10	41979	FLOOD LIGHT 120V
	47138	FLOOD LIGHT 220-230V (EXPORT)
11	42743	HOLE PLUG, ROCKER SWITCH
12	42798	SWITCH, LIGHTED ROCKER GR
13	44073	STRAIN RELIEF #SR-6P-4
14	45396	BUSHING-SNAP #SB-875-10
15	46081	RELAY, POWER, 120V, DPDT
16	46456	1.25 DIA NYLON HOLE PLUG
17	47199	BLOWER PLUG & CORD
18	47208	TERMINAL BLOCK,8 TERMINAL
19	47282	BUSHING, HEYCO SNAP
20	47364	CIRCUIT BREAKER 15 AMP
	48659	CIRCUIT BREAKER 10 AMP 277V (EXPORT)
21	48018	EXHAUST BLOWER 120V,60CY
	48037	EXHAUST BLOWER 220V,50CY (EXPORT)
22	48301	CAPACITOR STRAP
23	48541	BRACKET, KETTLE HEAT CONTROL
24	48545	LAMP, T-2 PILOT
25	48546	SOCKET, BASE FOR T-2 LAMP
26	48547	LENS CAP, YELLOW
27	48567	K THERMOCOUPLE EXTENSION
28	48604	35MM DIN RAIL 6 INCHES (PASS THRU)
29	48645	RELAY 120 VAC DPDT (PASSTHRU)
30	48660	PILOT LIGHT, 125V GREEN
	48660EX	PILOT LIGHT, 250V GREEN (EXPORT)
31	48673	HEAT SINK (FLEXI-POP)
32	48675	PHASE CONTROL 120VAC 25A (FLEXI-POP)
33	48710	TRANSFORMER, 120-12 VAC (FLEXI-POP)
34	48916	ROCKER SWITCH BOX
35	48917	ROCKER SWITCH BOX (PASS THRU)
36	48918	ROCKER SWITCH LABEL
37	48919	ROCKER SWITCH BOX
38	48920	ROCKER SWITCH LABEL (PASS THRU)

ELECTRICAL LIST CONTINUED

Item No	Part No	Description
39	48921	ROCKER SWITCH LABEL
40	48922	INDICATOR LIGHT DUAL (PASS THRU, FLEXI-POP)
41	48945	CONTACTOR IEC 32A 120V (FIRE SUPPRESSION)
42	48983	SWITCH BOX COVER PLATE
43	61154	AUDIO ALARM, UL
	61154EX	AUDIO ALARM, UL (EXPORT)
44	82260	POWER CORD ASSY
45	82675	SWITCH ON-ON ROCKER (PASS THRU)
46	82920	RECEPTACLE 50AMP
47	82922	RECEPTACLE COVER 50AMP
48	89017	STRAIN RELIEF T&B #3303
49	89087	240 VAC TRANSIENT FILTER
50	47385	THERMOSTAT WARMER
51	47548	MOUNTING ANGLE
52	61123	BLOWER, 120V
	61124	BLOWER, 230V (EXPORT)
53	61128	HEAT ELEMENT 120V,800W
	61135	HEAT ELEMENT 230V,800W (EXPORT)
54	61133	HEATER CLAMP
55	61134	HEATER MOUNT
56	62093	MOUNTING PLATE
57	76026	STRAIN RELIEF #SR-6P3-4

ACCESSORIES LIST

Item No	Part No	Description
1	48904	52OZ ACCESSORY PACK ASSY
2	2072	PERF JET SCOOP REGULAR RH
3	41162	OIL TUBE PLASTIC 2 FT LG
4	41752	FLAVACOL CONT WELDMENT
5	47380	TUBE BRUSH
6	47681	MEASURE 30CC
7	48905	52OZ WGT MEA.CUP GREEN

FLEXI-POP MODELS

8	41720	32OZ ACCESSORY PACK ASSY
9	2072	PERF JET SCOOP REGULAR RH
10	41162	OIL TUBE PLASTIC 2 FT LG
11	41752	FLAVACOL CONT WELDMENT
12	47380	TUBE BRUSH
13	47681	MEASURE 30CC
14	41540	32OZ WGT MEA.CUP BLUE

DOME LIST

STANDARD DOME

Item No	Part No	Description
1	12502	FLUORESCENT TUBE LOCK
2	41020	LIGHT TUBE HOLDER
3	41021	LIGHT TUBE HLDR STARTER
4	43123	WIRE ASSY-LT BLUE
5	47030	WIRE ASSY-BLUE
6	47044	WIRE ASSY-WHITE
7	48506	DOME,WELD ASSY 48IN
8	48509	INSPECTION COVER
9	62200	INSPECTION COVER (FIRE SUPPRESSION)
10	75026	STARTER FS-4
11	82003	FLUOR LIGHT TUBE 30WATT
12	82109	LIGHT BALLAST 30 WATT
13	82414	LIGHT BALLAST 240V 50HZ (EXPORT)
14	82465	REFLECTOR ASSEMBLY
15	82468	SUPPORT BRACKET ASSEMBLY
16	82473	SIGN, LIGHTED DOME

NEON DOME

Item No	Part No	Description
1	47562	WIRE HARNESS WARMER
2	49133	DEAD END SPLICE TRANSLU
3	62171	DOME,WELD ASSY 48IN
4	48509	INSPECTION COVER
5	62200	INSPECTION COVER (FIRE SUPPRESSION)
6	67432	NEON SIGN ASSY, 30 INCH
7	67433	TRANSFORMER MTG. BRKT.
8	67445	TRANSFORMER, 6.5 KV, 20MA
9	67488	BOTTOM NEON SIGN BRACKET
10	82962	GTO COVERING, NEON SIGN
11	67509	TRANSFORMER, STEP DOWN (EXPORT)

WARRANTY

WE WARRANT to the original purchaser the Gold Medal equipment sold by us to be free from defects in material or workmanship under normal use and service. Our obligation under this warranty shall be limited to the repair or replacement of any defective part for a period of six (6) months from the date of sale to the Original Purchaser with regard to labor and two (2) years with regard to parts and does not cover damage to the equipment caused by accident, alteration, improper use, voltage, abuse, or failure to follow instructions.

THIS WARRANTY IS IN LIEU OF ALL OTHER WARRANTIES EXPRESSED OR IMPLIED, AND OF ALL OTHER OBLIGATIONS OR LIABILITIES ON OUR PART, INCLUDING THE IMPLIED WARRANTY OF MERCHANTABILITY. THERE ARE NO WARRANTIES WHICH EXTEND BEYOND THE DESCRIPTION ON THE FACE HEREOF. We neither assume, nor authorize any other person to assume for us, any other obligation or liability in connection with the sale of said GOLD MEDAL equipment or any part thereof.

The term "Original Purchaser" as used in this warranty shall be deemed to mean that person, firm, association, or corporation who was billed by the GOLD MEDAL PRODUCTS COMPANY, or their authorized distributor for the equipment.

THIS WARRANTY HAS NO EFFECT AND IS VOID UNLESS THE ORIGINAL PURCHASER FIRST CALLS GOLD MEDAL PRODUCTS COMPANY AT 1-800-543-0862 TO DISCUSS WITH OUR SERVICE REPRESENTATIVE THE EQUIPMENT PROBLEM, AND, IF NECESSARY, FOR INSTRUCTIONS CONCERNING THE REPAIR OR REPLACEMENT OF PARTS.

NOTE: This equipment is manufactured and sold for commercial use only.



GOLD MEDAL PRODUCTS COMPANY
10700 Medallion Drive
Cincinnati, Ohio 45241-4807 USA